



electrahertz (Pty) Ltd
electrical & mechanical suppliers



145 - 160 WP



+ 0/+5 WP Positive Tolerance

↔ ROOFTOP AND OFF-GRID DESIGN

✓ HIGH QUALITY

25 year linear performance
5 year product warranty



IEC 61215
IEC 61730

For more information, contact us on;

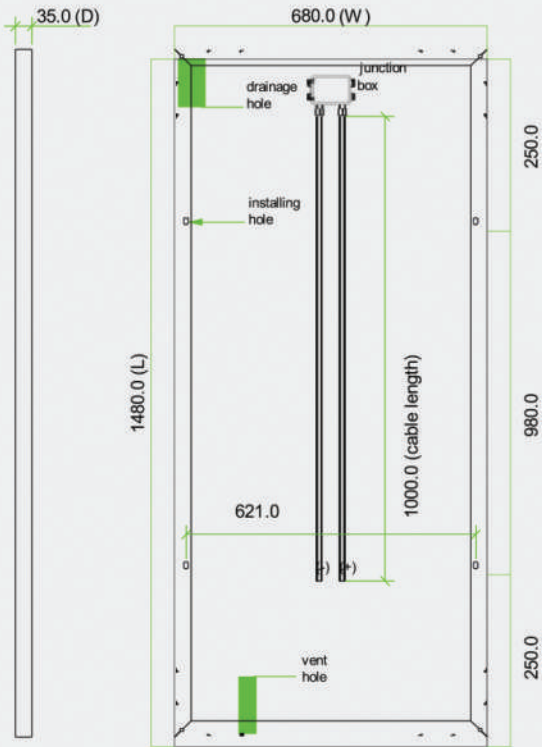
Pretoria Branch

498, Krige street, Silverton, Pretoria
Tel: +27(0)12 804 - 0120
email: salespt@electrahertz.co.za

Jet Park Branch

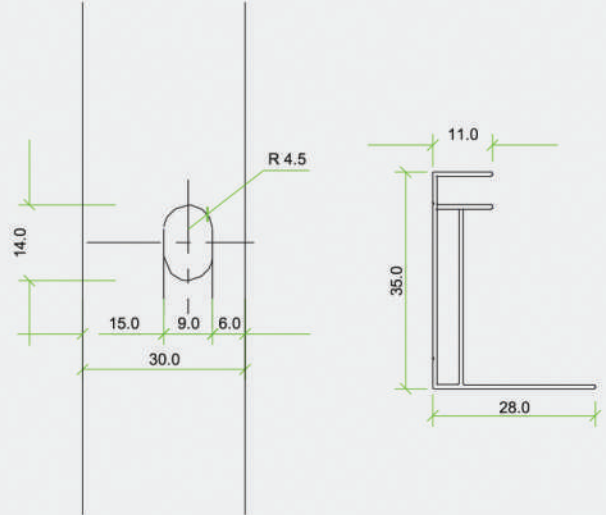
6 Derick Coetzee Street (Off Kelly Road)
Tel: +27(0)11 397 - 1750
email: salesjp@electrahertz.co.za

POLY SERIES 145-160WP



GENERAL CHARACTERISTICS

Cell	Polychrystalline solar cell 156.75 x 156.75 mm
No. of Cells (connections)	36 (4x9)
Panel Dimensions	1480 x 680 x 30 mm
Weight	11 kg
Connectors and cable	IP65, 3 bypass diodes 0.9 m cables



THERMAL CONDITIONS

Normal Operating Cell Temperature 800W/m ² Irradiance, 20°C, AM = 1.5	48C ±2°C
Power Temperature Coefficient	-0.5%/K
Current Temperature Coefficient	0.035%/K
Voltage Temperature Coefficient	-0.37 MV/K

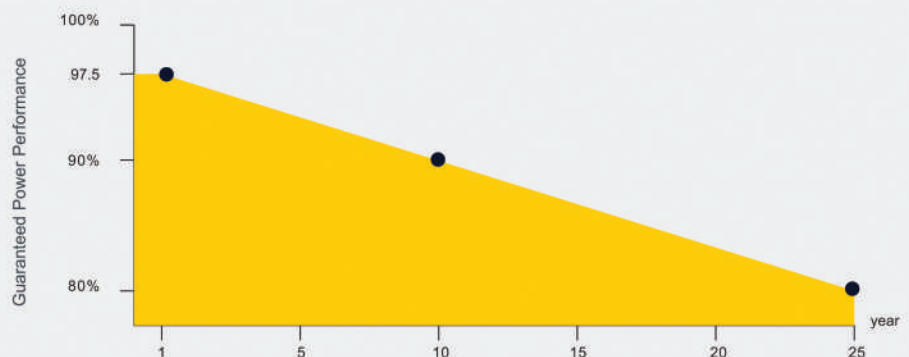
LIMITS

Operating Temperature	-40°C to 85°C
Maximum System Voltage	1000V DC

HIGH PERFORMANCE

25 25 years linear performance

5 5 years product warranty



ELECTRIC PERFORMANCE at STC*

	145 Wp	150 Wp	155 Wp	160 Wp
Maximum Power	145 Wp	150 Wp	155 Wp	160 Wp
Power Tolerance	0/+5 Wp	0/+5 Wp	0/+5 Wp	0/+5 Wp
Maximum Power Voltage	18 V	18 V	18 V	18.98 V
Maximum Power Current	8.05 A	8.16 A	8.34 A	8.43 A
Open Circuit Voltage	22.6 V	22.8 V	22.8 V	22.87 V
Short Circuit Current	8.72 A	8.94 A	9.2 A	8.99 A

*Standard Test Conditions: 1000W/m² irradiance, 25°C and AM = 1.5